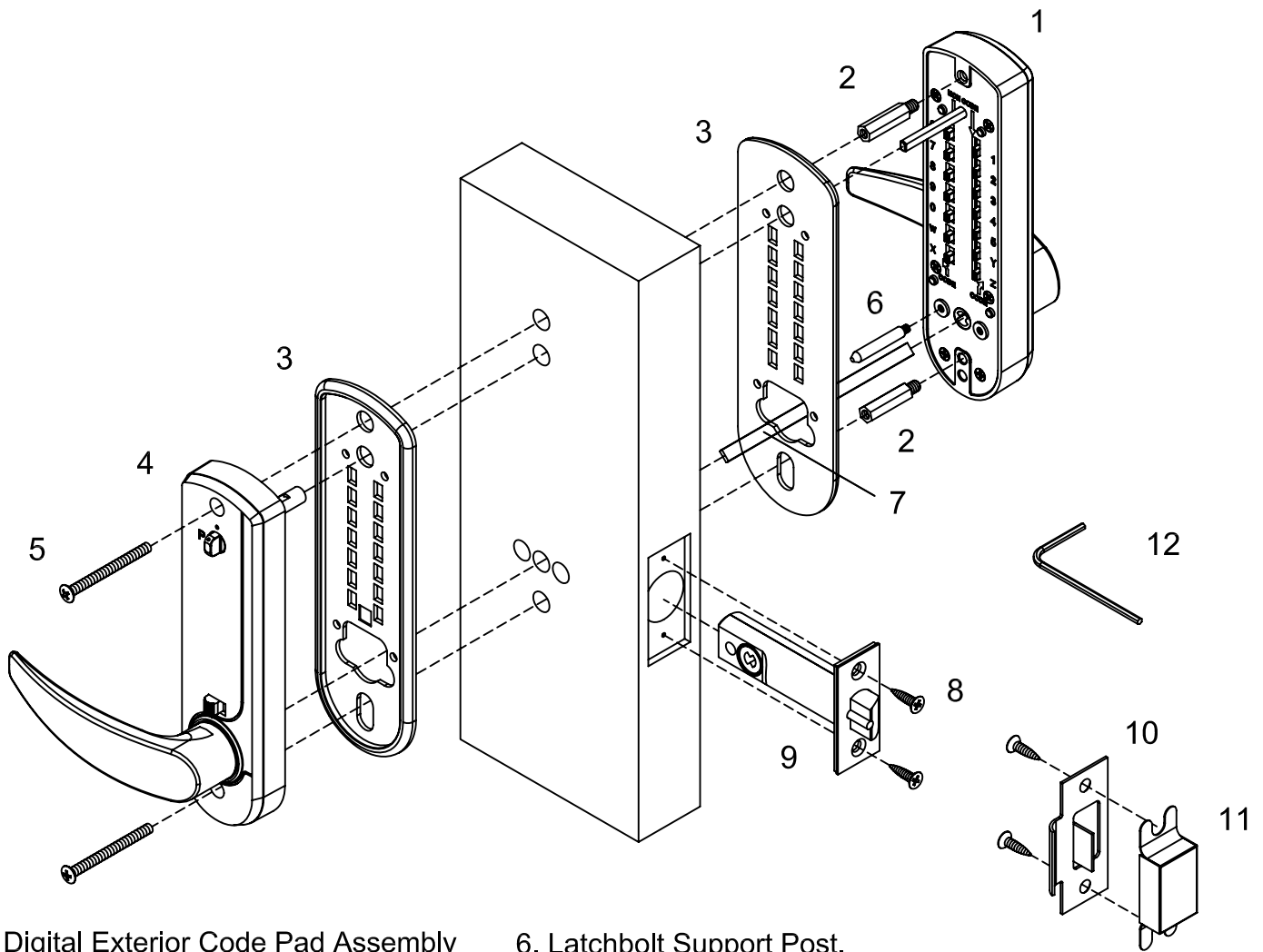


# Digital Lock Set-Components



- |   |  |                  |
|---|--|------------------|
| 1. Digital Exterior Code Pad Assembly                         | 6. Latchbolt Support Post.                                 |                  |
| 2. Hex Screw Post 25mm x 2                                    | 7. Spindle x 3 (76mm 86mm 100mm)<br>- only one is used.    |                  |
| 3. Neoprene Seals x 2   | 8. Wood Screws x 4. Use with Latchbolt<br>and Strikeplate. | 10. Strike Plate |
| 4. Digital Interior Code Pad Assembly                         | 9. Latchbolt (60mm standard)                               | 11. Strike Box   |
| 5. Fixing Interior Code Pad 2 Supplied<br>36mm(2 Spare 51mm). |  | 12. Allen Key    |

## Installation Instructions

### SPECIAL NOTES:

Before commencing installation check that all parts are working correctly.

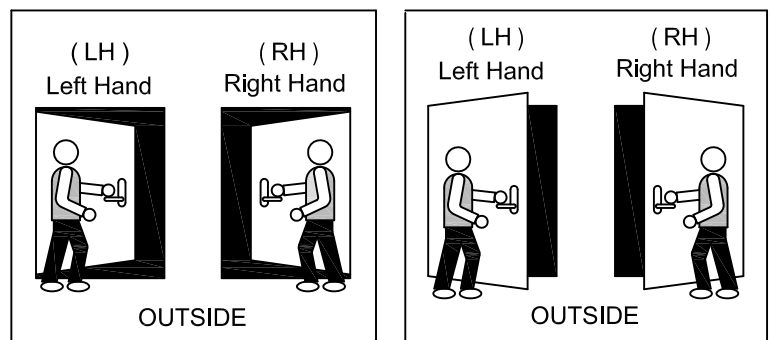
\* Digital Exterior and Interior Code Pad Assembly: Enter code C13579, turn handle in both directions. The handle should turn and return freely under spring pressure.

\* Digital Deadlatch Assembly: Check that spring latch and spindle hub move freely.

If you need to change the code you should change and test before fitting. - see the Code Change instructions

### NEW INSTALLATION:

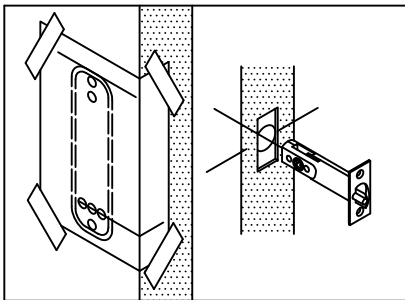
#### 1) Check the Hand of Your Door



Viewed from the outside, your door is right handed if the hinges are on the right.

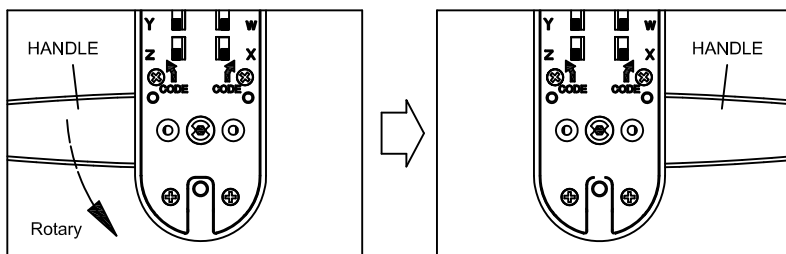
# Digital Lock Set-Installation Instructions

## 2) Apply the Template



- Select the desired position on the door. Fold the template on the dotted 60mm backset line to suit the deadlatch assembly supplied. Tape the template to the door.
- \* Mark and drill six 10mm holes as shown on the template.
  - \* Mark the central point on the "centre line of latch" on the edge of the door and drill a 25mm hole to a depth of 85mm.
  - \* Insert the latch into the latch holes and mark around the face plate.
  - \* Remove the latch and cut a 3mm rebate so that the face plate fits flush with the edge of the door.
  - \* Fit the latch assembly with 2 wood screws. (Ensure that the bevelled face of the latchbolt faces the door frame)

## 3) Handing the Digital Exterior Code Pad Assembly

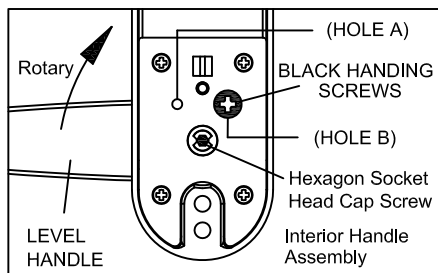


Apply strength to rotate the handle to the desired direction.

### IMPORTANT:

In order to change the left and right hand of the lock handles correctly, the lock must be mounted on the door.

## 4) Handing the Digital Interior Handle Assembly

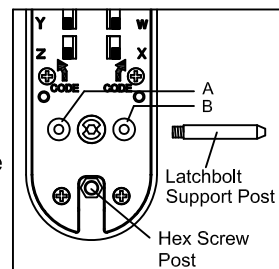


Hole B for left hand hung door and Hole A for right hand hung door.

To change for a left hand door:  
\* Remove BLACK handling screw from hole A and relocate it in hole B.

To change for a left hand :  
\* Loosen the Hexagon Socket

## 5) Fit Latch Support Post



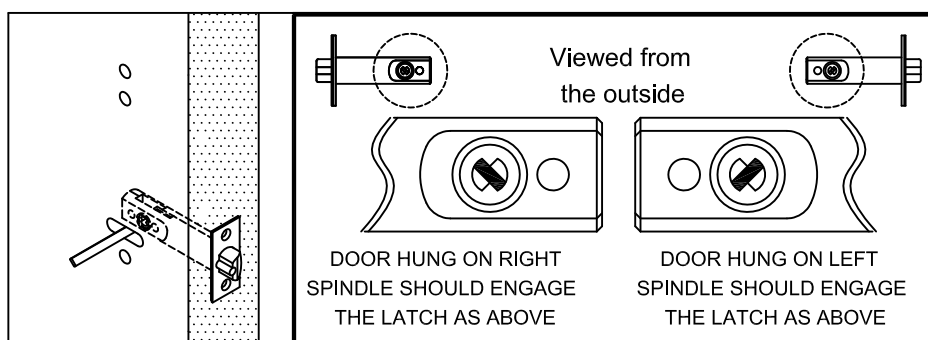
Fit the Latch Support Post in the back of the Digital Code Pad Assembly. Hole A for left hand hung door and Hole B for right hand hung door.

Head Cap Screw and rotate the lever handle from right to left.

- \* Tightening the Hexagon Socket Head Cap Screw and make sure the lever handle is horizontal.

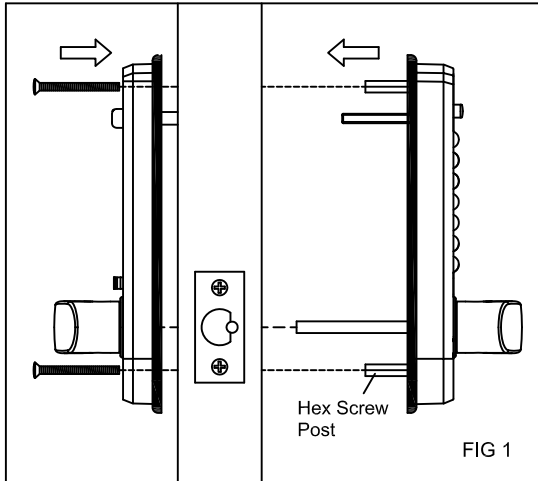
Turn lever handle in an anticlockwise direction and lever handle should turn and return freely.

## 6) Positioning the Spindles



- Three spindles are provided. Select the spindle length to suit the door thickness.
- \* For door thicknesses less than 35mm use the shorter spindle (76mm). For door thicknesses of 35-50mm use the longer spindle (86mm) or (100mm).
  - \* Position spindle centrally through the latch hub to suit door handing.

## 7) Mounting the Lock



Select the fixing screws to suit the door thickness.

- \* For door thicknesses less than 48mm use the shorter screws(36mm).
- \* Fit the neoprene seals to both the Exterior Code Pade and Interior Handle Assemblies.
- \* Hold the Exterior Code Pade Assembly onto the door with the spindle in position and ensuring that the latch support post engages the hole in the deadlatch assembly.
- \* Locate the Interior Handle Assembly on the inside of the door engaging the spindle in the handle hub.
- \* Screw both side together using the fitting bolts top and bottom. (FIG 1)
- \* Before tightening of fixing screws make sure the lock is vertical. Test the mechanism to ensure that the lock functions correctly and moves easily. DO NOT overtighten the fixing screws-this may cause distortion and lead to poor operation.

CHECK THAT THE CODE WORKS TO AVOID A LOCKOUT BEFORE CLOSING THE DOOR.

## 8) fitting the Strike Plate

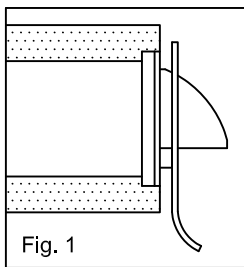


Fig. 1

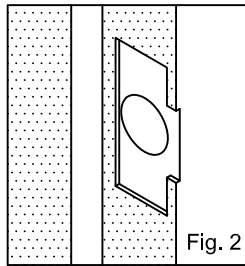


Fig. 2

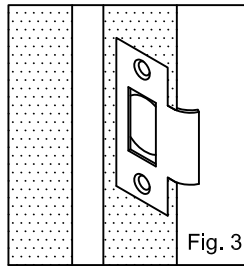
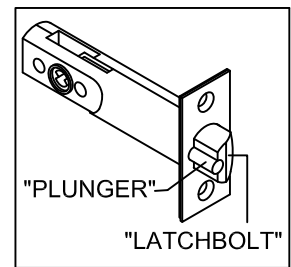


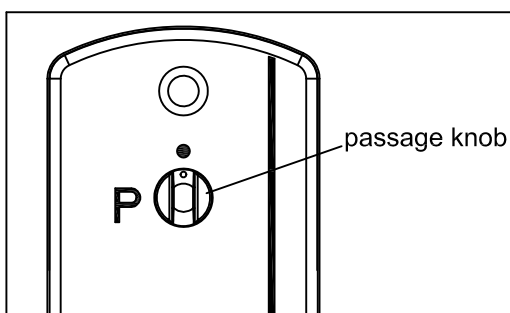
Fig. 3



- \* Close the door against the door frame and transfer the centre of the latchbolt onto the jamb.
- \* Position the strike plate on the door so that it fits against the flat of the latchbolt,with deadlatch plunger depressed(Fig. 1).
- \* Close the door and mark the position of the strike plate on the jamb.
- \* Using the strike plate as a template,align it with the position marks in the jamb and mark the inner and outer edges of the strike plate on the jamb.(Fig 2).
- \* Cut a 1mm deep rebate so that the strike plate fits flush with door jamb(Fig 2).
- \* Drill and chisel out the latchbolt hole to accommodate the latch bolt strike box(Fig 3).
- \* Fit strike plate and strike box using only one wood screw at first to ensure that it is positioned accurately.
- \* The latchbolt and not the deadlatch plunger should enter the aperture freely and be hold without excessive play.
- \* When correctly positioned secure with the second wood screw and check lock set for smooth operation.

# Digital Lock Set-Passage and Holdback

## Passage Function



TO SET PASSAGE MODE - FREE ACCESS AND EGRESS.

- \* Enter correct codes , turn the handle of Digital Exterior Code Pad Assembly to 6 o'clock position and keep the handle in downward position.
- \* Turn the passage knob of Digital Interior Code Pad Assembly from 12 o'clock to 9 o'clock position. Release the handle and "Passage Funtion" is working. Then you do not need a code and you can open the door.

TO SET CANCEL PASSAGE MODE:

- \* Turn the passage knob of Digital Interior Code Pad Assembly go to the 12 o'clock position "Passage Funtion" will be cancelled.

## Holdback and Night-Latch Function

To set the Holdback function

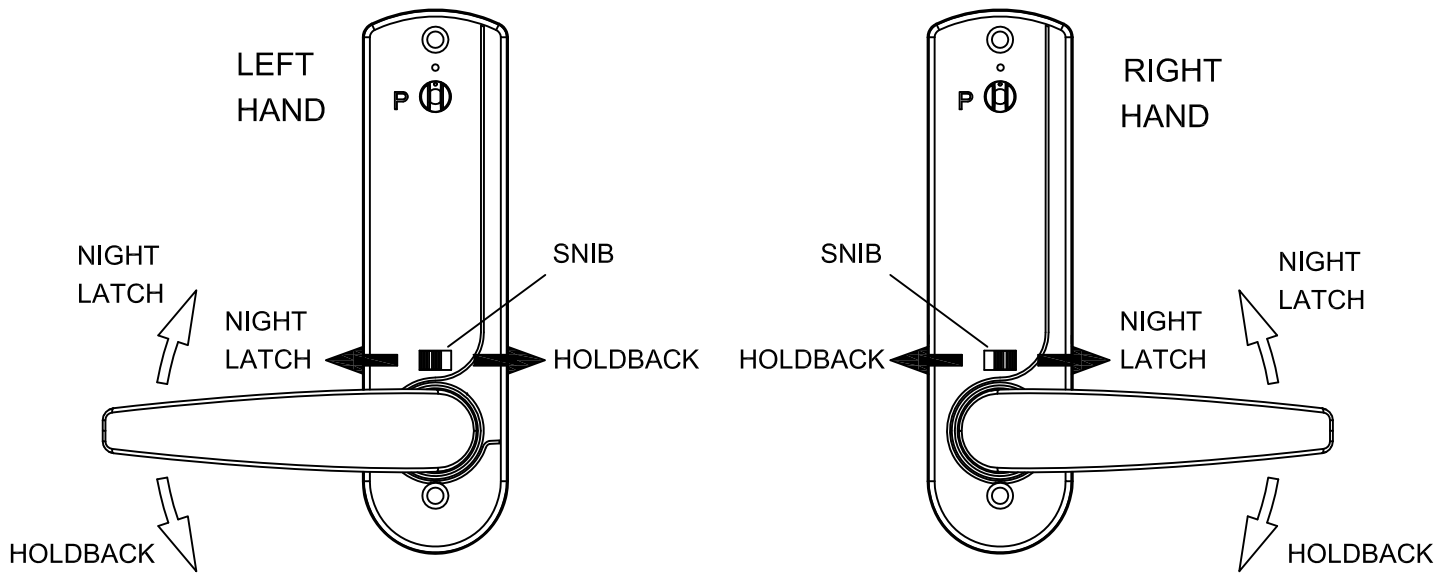
\* Pull inside handle down to 6 o'clock position to completely withdraw the latch bolt.

\* Hold the handle in the position and slide snib as shown to retain handle and set Holdback function .

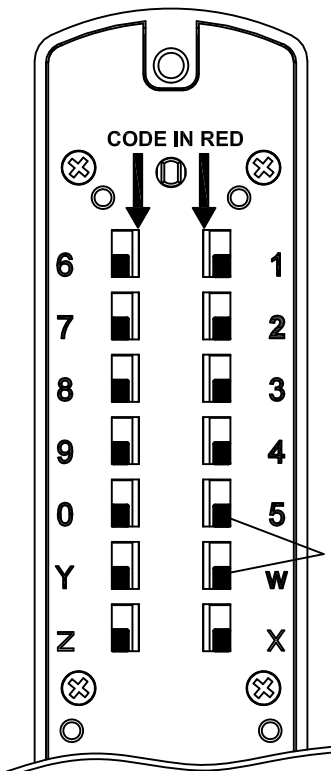
To set the Night-latch function

\* Remove BLACK handling screw of Digital Interior Code Pad Assembly.

\* Pull inside handle up to 12 o'clock position, hold the handle in the position and slide snib as shown to retain handle and set Night-latch function.



## Digital Lock Set-Changing the Code Number



- 1) The digital lock is supplied with factory set codes:13579
- 2) Depress the code select button and slide the selector from "NON CODE" to "CODE" position and the active number is selected as shown by the RED indicator.
- 3) Any numbers not required to be part of the active code should have the code selectors parked in the "NON CODE" position.
- 4) The "CLEAR" button MUST always be used as the first digit of a code.
- 5) For best security the code number selected should contain 4 or 5 digits.
- 6) Check that the new code works before installation.

NOTE: THE CODE MAY BE ENTERED IN ANY SEQUENCE, I.E. C13579 MAY BE ENTERED AS C19735 OR ANY OTHER SEQUENCE OF THOSE NUMBERS.