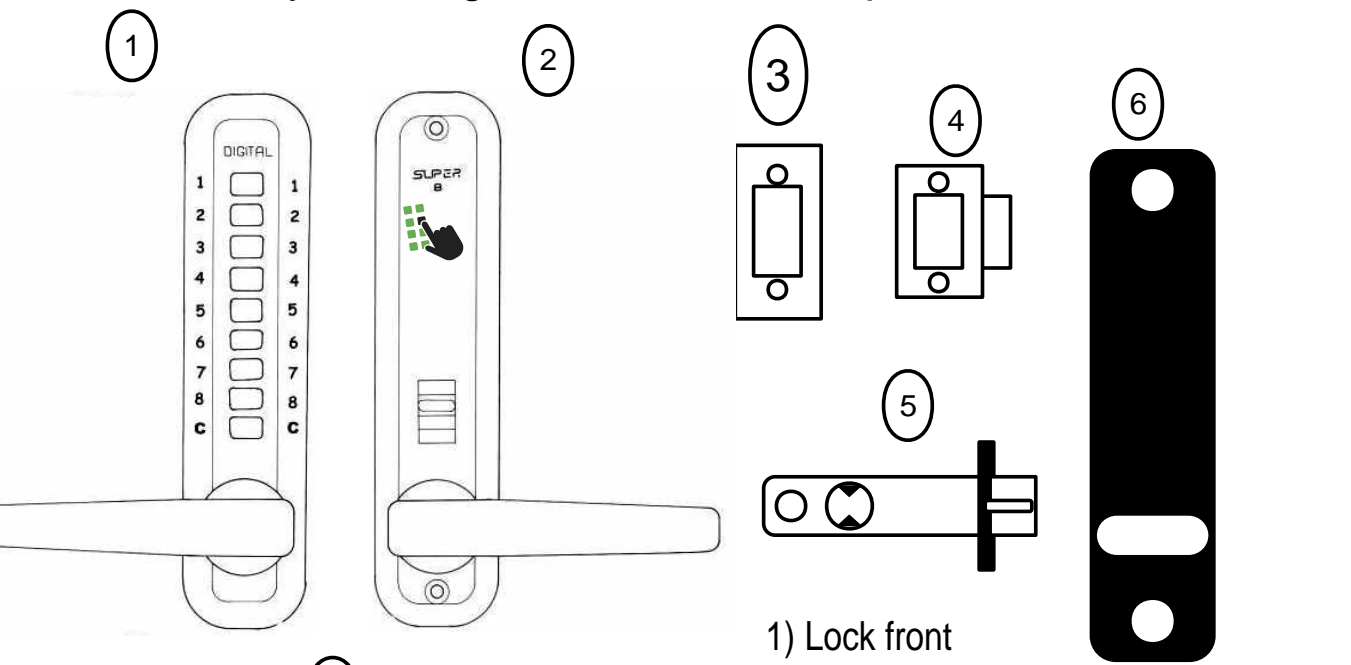


### Parts list for your Digital Door Lock Super 8 series



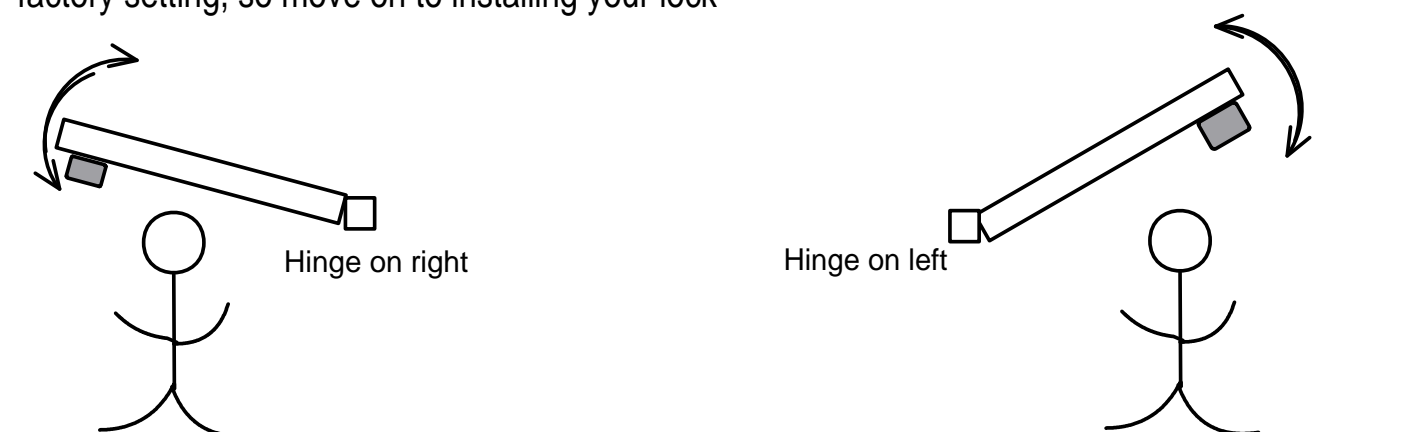
Before fitting your lock  
 - Check you have all the parts listed  
 - Change the code to your own chosen code (optional) see code change instructions  
 - Check the hand of opening, your lock is factory set to right hand opening you may need to change it to left, see check the hand of opening

- 1) Lock front
  - 2) Lock back
  - 3) Mortise strike box
  - 4) Mortise strike plate
  - 5) Mortise latch bolt 60/70mm back set
  - 6) Protection seals for front and back
  - 7) Pack containing
    - Spindles
    - fixing bolts
    - Wood screws
    - Tweezers
    - Spare code tumblers
    - Brass support pin
    - Code card (factory code in your lock)
- Installation instructions, code change instructions & template for drilling

### 1. Check hand of opening

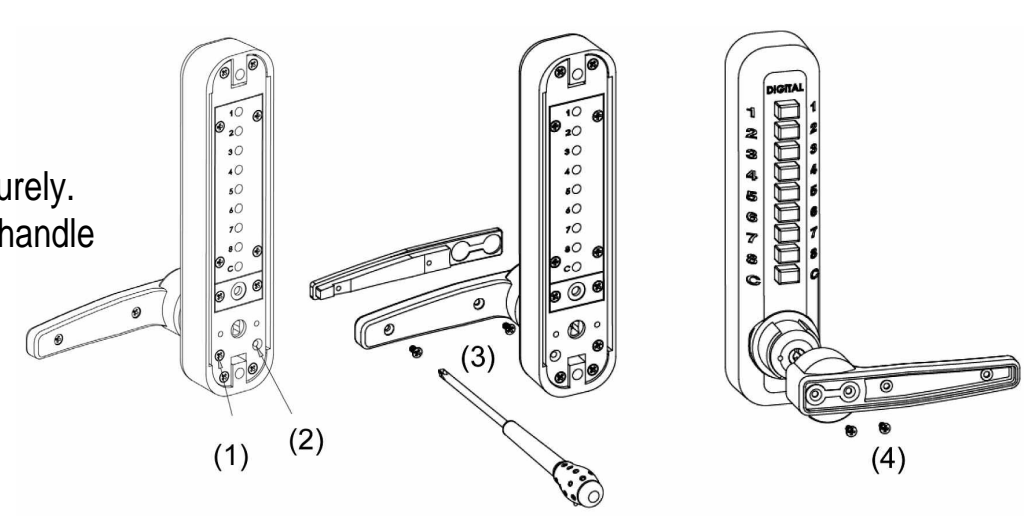
Your lock is factory set to right hand opening  
 To determine if your lock needs to be right or left hand opening stand on the side of the door you want the front/keypad to go

If the door is hinged on the right as per diagram, it is already right hand as per the factory setting, so move on to installing your lock  
 If your door is hinged on the left go to change the hand



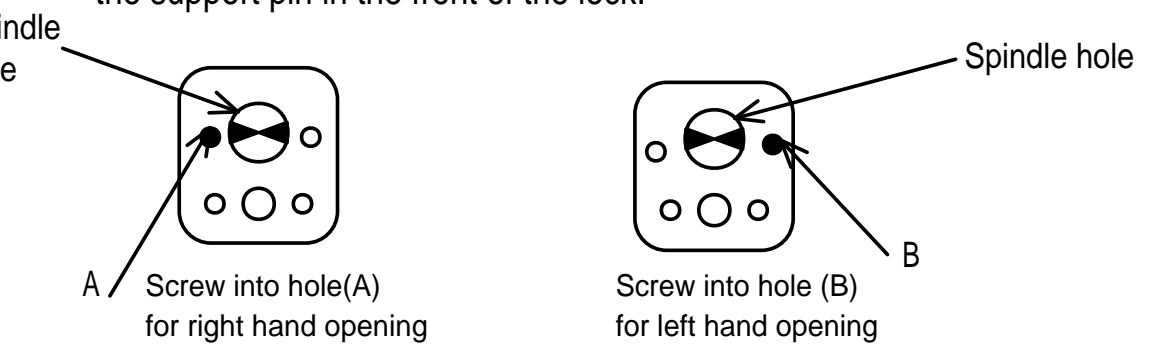
### 2. Changing the hand

- Move screw (1) into position (2)
- Remove the two screws (3) from the inside of the handle releasing the handle cover
- Remove the two screws (4) that connect the handle to the lock, lift the handle off and reverse it to left hand. Replace all screws securely.
- Repeat the same with the inside handle



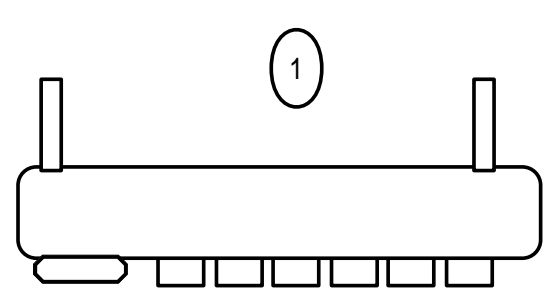
### 3. Installing the support pin

Having determined the hand of opening you now need to install the support pin in the front of the lock.



### Code change instructions

Take the lock front (if after fitting remove by undoing the 2 x fixing bolts from the lock back)  
 1) Turn the lock upside down

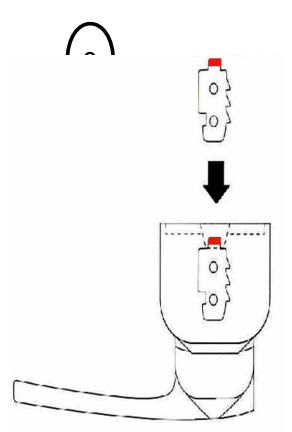


2) Remove the 4 x red screws from the plate and lift the plate off carefully

- Your code group can consist of from 4 to 6 digits  
 - Your code must always be pre-fixed by C to clear  
 - Although your code group is not sequential there are still over 8,000 different code groups  
 The Super 8 series has additional coloured code tumblers, these are green.  
 The green tumbler is used when you want to use a particular digit twice in your code e.g. C4418  
 - The code is determined by the number of red & green tumblers used, blue are non-code.  
 - To increase your code add more red & green tumblers, to decrease add more blue

**-IMPORTANT**  
 While removing & replacing the tumblers you must continue to depress the C button

3) Using the tweezers provided move the red, green & blue tumblers to set your own code



The tumblers are shaped to fit into the slots  
 - The coloured tip **must** be facing upward  
 - The side of the tumbler that has the raised notches must face toward the top of the lock  
**DO NOT** force the tumblers back in, SIMPLY keep the C button depressed and they will drop in, if one or more does not drop in make sure they are all positioned correctly, as per above and diagram (3)

Replace the plate and test your code prior to fitting on the door.  
 If refitting to an existing installation ensure you reposition the spindle at the correct angle as per 'Fitting your lock'

For Customer support/Technical/Sales please contact us:

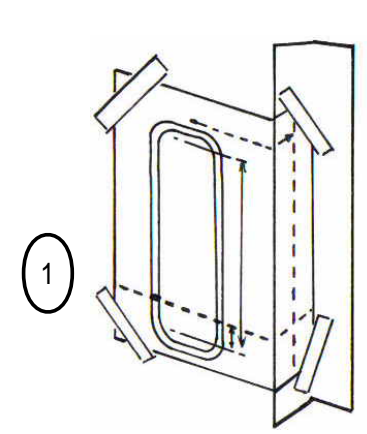
Lockey Digital UK Ltd  
 Unit 6 Saxon way  
 Melbourn  
 Royston  
 Herts SG86DN  
 United Kingdom  
 Tel +44 (0) 1763 245245 Fax +44 (0) 1763 260345  
 Email enquires@lockeydigital.co.uk  
 www.lockeydigital.co.uk



Keep these instructions, you may need to change your code in the future.

### 4. Adjust latch bolt (if necessary)

The adjustable latch is preset for 60mm back set.  
 For 70mm back set, slide the cam assembly on the latch to 70mm.  
 Ensure you use the correct template for your required back set.

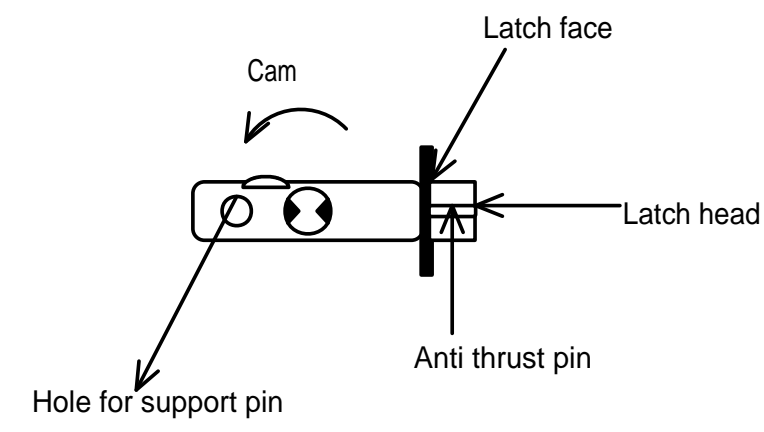


### 5. Fitting your lock

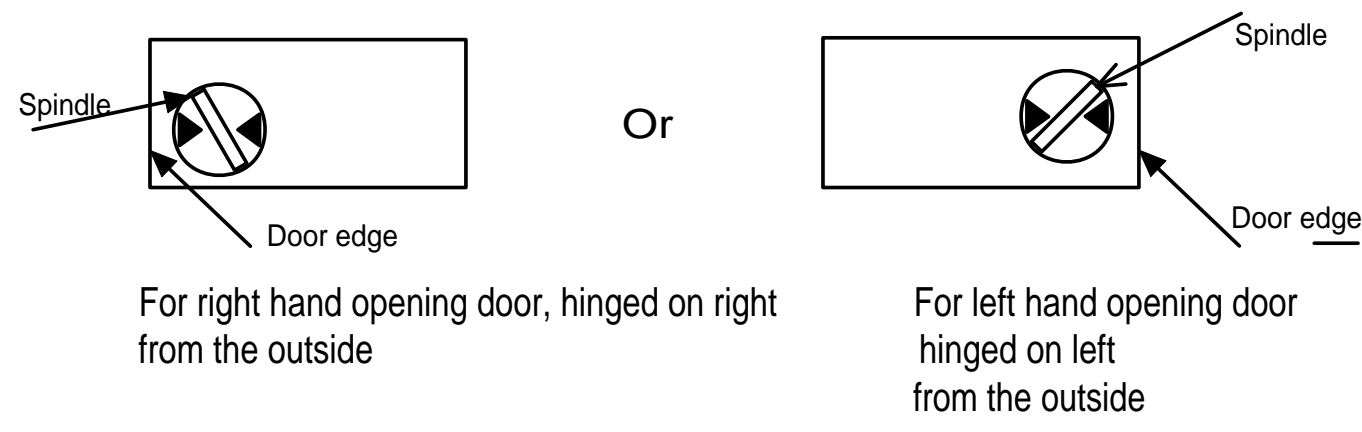
1) Position the template at the correct height and position

2) Drill the lock holes as per the template to ensure trouble free operation the holes should be accurate

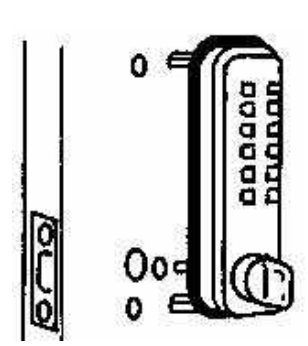
- When mortising out for the latch bolt make sure that the 25mm mortise hole is enlarged enough (using the wood drill or a small chisel) to give clearance above the spindle hole in latch for movement of the cam



- 3) Insert the latch bolt into the hole, draw a line around the latch bolt face and remove it
- 4) Chisel out the lined space until the latch bolt face is flush with the surface of the door edge, fasten latch bolt with wood screws
- 5) Place the protection seals on the lock front & lock back
- 6) Choose the correct length spindle (cut to size if necessary) ensure the spindle length is long enough to fit into both the front and back of the lock
- 7) Place the lock front through the drilled holes, from the back insert the spindle so it lays toward the door edge, with the lock back in the closed position, place over spindle and bolt together (cut bolts to length if necessary)



BEFORE CLOSING THE DOOR check the operation of your lock front & back\*



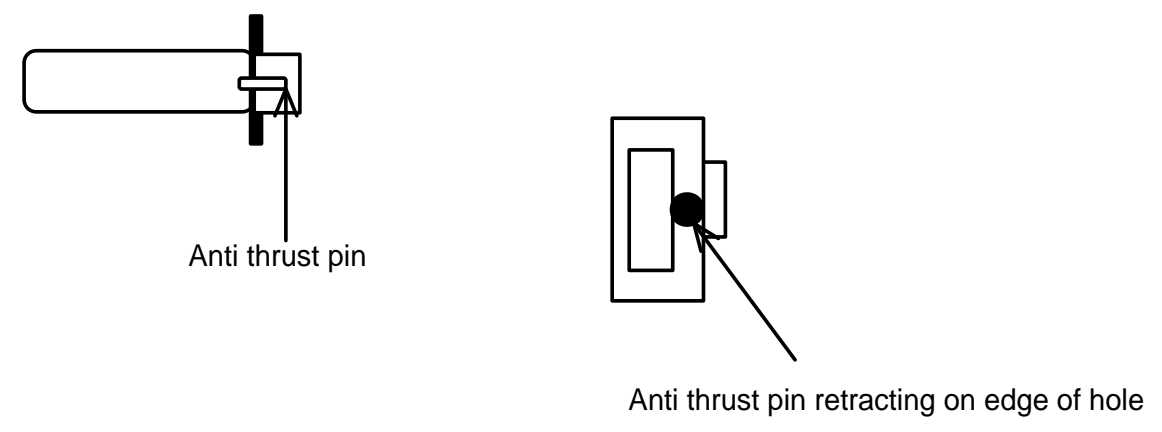
\* PLEASE NOTE: Always pre-fix your code with C to clear

### 6. Fitting the strike

- 1) Close the door to see where the latch bolt head touches the door frame, and mark the frame
- 2) Chisel out for the strike box and the strike plate so that it is flush with the frame of the door, fasten the strike plate with the wood screws

#### IMPORTANT

The anti thrust pin on the latch head must not go into the strike plate hole, so as the latch head enters the strike plate the anti thrust pin retracts on the edge of the strike plate



### 7. Using the hold back facility

Turn the inside handle to width draw the latch and push the hold back facility/snib down this will allow entry without using the code. To unset push the hold back facility/snib up

#### Trouble shooting guide:

Problem	Possible cause	To resolve
Will not operate after changing the code	Code tumbler inserted wrong way round or upside down	Check the position of <u>all</u> the code tumblers -refer to the code change instructions. Forcing a code tumbler in the wrong way can damage your lock.
Knob turns in wrong direction or lock opens without using the code	Not handed correctly	Check you have the lock set to the correct hand of opening, refer to installation instructions (inside handle also with 2430/35 & k series)
	Spindle position	Spindle must lay at an Angle through the latch, facing towards the latch bolt face/edge of door -refer to 'Fitting your lock'
Latch bolt sticking/tight /not retracting smoothly or all the way/not returning Smoothly or all the way	Gap between door & frame too wide	Because latch has not needed to be fully withdrawn before door is opened the code has not cancelled in lock -reduce gap
	-do the following	Make sure you have chiselled out enough for the latch Cam refer to 'Fitting your lock'
	OR	The coloured end of spindle (if applicable to the lock type) should be in the front body, RED end for right hand open, BLUE end for left hand Open. The spindle may be too long.

Or call us for advice 01763 245245